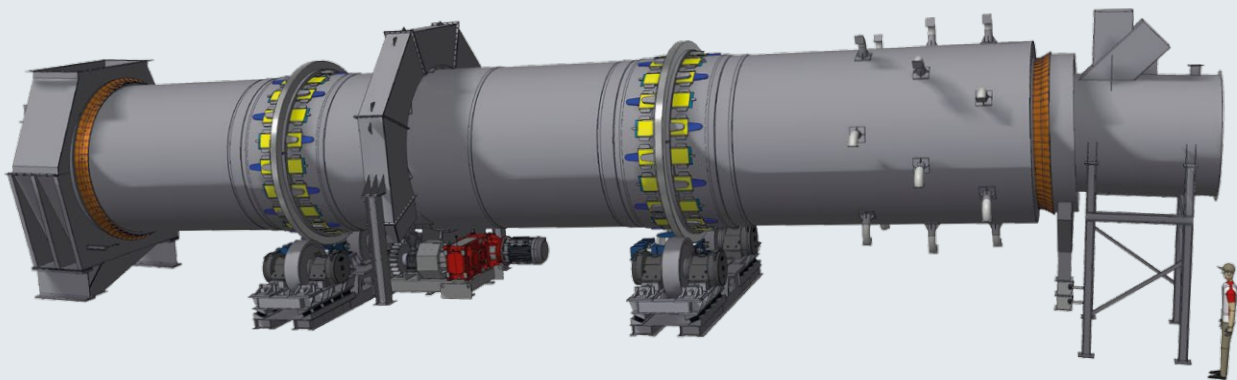


The smart drying solution



Proven design – highest process flexibility – low maintenance

Rotary dryers are used in the minerals industry for drying wet and/or abrasive materials. They are designed for very **high throughputs** and can process materials with **diverse granulometric properties**.

A rotary dryer consists of an inclined rotating cylinder with internal lifter or blades, where the process material is dried through direct contact with the hot gases.

The thyssenkrupp Industrial Solutions direct fired drying drums are heated with coal, oil, gas and/or waste heat. The continuously operating rotary dryers are designed for co-current or counter-current operation with single or variable speed drive.

Depending on the material characteristics, different shapes of blades/internals such as a scoop lifter can be selected for higher heat transfer between hot gas and material.

Different sealing systems for dryer feed end and discharge end are available for most economic operating conditions, in order to avoid emissions and false air intake.

In combination with rotating screen, hot gas generator and off-gas system, the rotary dryers can be individually designed for various applications and demands, thereby achieving the best solution for our clients.

Rotary Dryer – Small Series

Fields of application

Drying of various ores and concentrates such as nickel, iron, zinc, vanadium

Drying limestone and lightweight aggregates

Drying of phosphates and fertilizers

Drying of other materials

Main features

Controlled drying process while maintaining low fuel consumption

Rugged design with high availability and low maintenance cost

High throughput

High flexibility for drying materials varying in material size and moisture

Delivery in one pre-assembled piece on a base frame

Design parameters*

Filling degree: 15 %

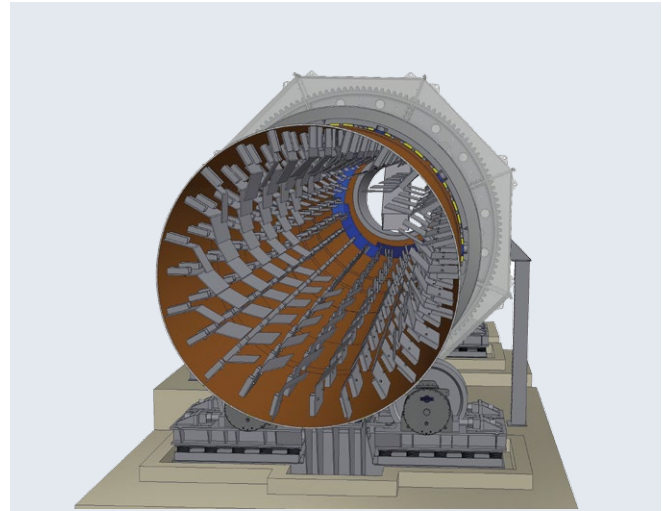
Variable rotational speed: max. 3.5 rpm (FC)

Capacity: 30 – 200 t/h (depending on material)

Fuels such as coal, oil, gas and/or waste heat with hot gas temperatures up to 1000 °C

Internals 3 zones: spiral, straight and angled lifters

*Modifications are possible depending on product



Type (Size)	Ø inner shell (m)	Length (m)	L/D	RPM (1/min) Nom./Max.	Drive (kW)
RDS34.21	3.4	21.1	6.2	2.5 / 3.5	110
RDS30.18	3.0	18.6	6.2	2.5 / 3.5	75
RDS26.16	2.6	16.1	6.2	2.5 / 3.5	45

Further sizes are possible on request, series are continuously in development

Contact

thyssenkrupp Industrial Solutions AG

Graf-Galen-Straße 17

59269 Beckum, Germany

Phone: +49 2525 99-0

E-mail: pyro.tkis@thyssenkrupp.com

www.thyssenkrupp-industrial-solutions.com/pyroprocessing

Sales Agent

© 2016 Product specifications and prices are subject to change without notice or obligation. The photographs and/or drawings in this document are for illustration purposes only. The operation values are considered to be approximate and will be finally determined on the basis of the specific task and the material characteristics. The only warranty applicable to our equipment is the standard written warranty applicable to the particular product and sale and thyssenkrupp makes no other warranty of accuracy, reliability, completeness, merchantability or fitness for any purpose, express or implied. Products and services listed may be trademarks, service marks or trade-names of thyssenkrupp and/or its subsidiaries in Germany and other countries. All rights are reserved.